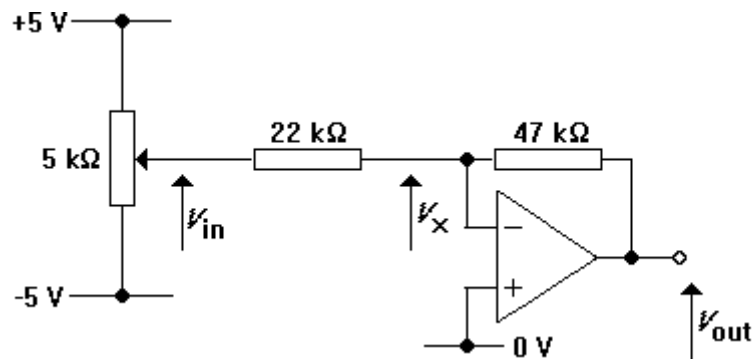
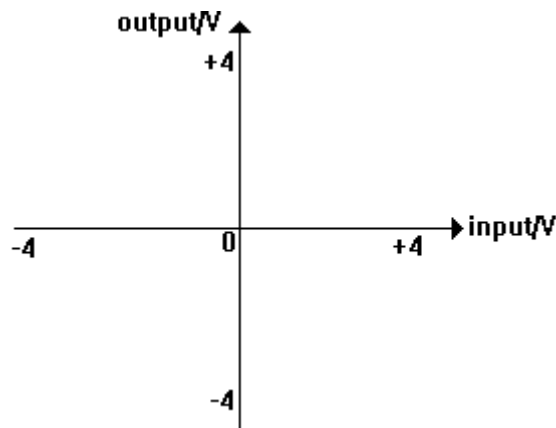


Inverting amplifiers

1. Assemble the circuit shown below.



2. Use a double-beam CRO to measure the values of V_{in} and V_{out} . If all is well, V_{out} should drop from +4 V to -3 V as V_{in} rises from -4 V to +4 V.
3. Measure the value of V_{out} for values of V_{in} covering the range from -4.0 V to +4.0 V at intervals of 0.5 V.
4. Plot your results on a V_{out} - V_{in} graph. Join the points with three straight lines.



5. Calculate the voltage gain from the graph. Check that its value agrees with the formula $G = -R_f/R_{in}$.