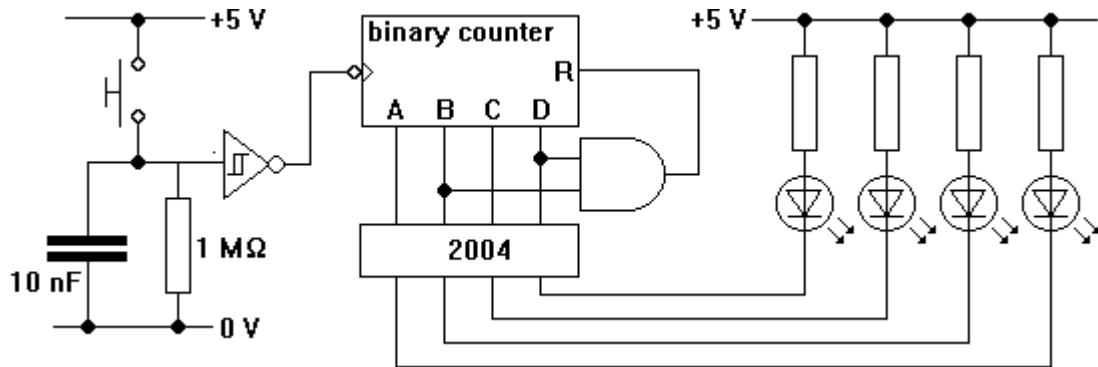


Decimal counters

1. The diagram below shows how a four-bit counter can be used to control a bank of LEDs via a 2004 driver i.c. Assemble the circuit. The series resistors for the LEDs can be 220 Ω .



2. Verify that the system counts from 0 to 9 in binary before resetting.
3. Modify the system so that it counts from 0 to 5 before resetting.
4. If you have time, add a 4511 decoder, seven-segment LED and 220 Ω current-limiting resistor so that the system gives a decimal display instead of a binary one.

