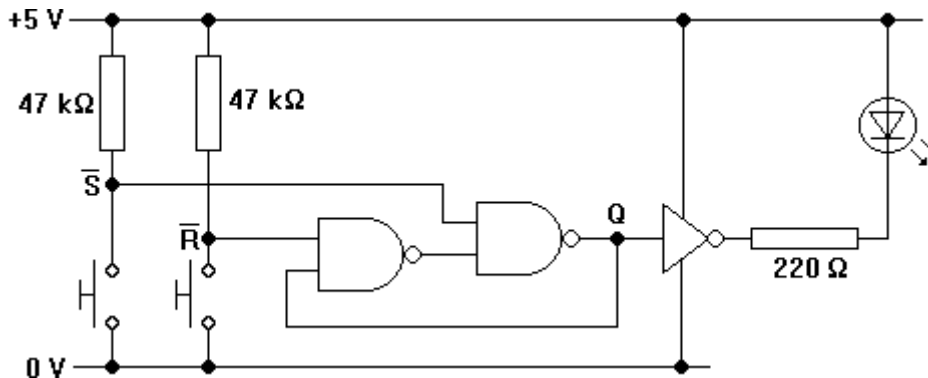


Exploring bistables

1. Assemble the circuit shown below.



2. Briefly press the left-hand switch. If all is well, the LED should come on and stay on.
3. Briefly press the right-hand switch instead. If all is well, the LED should go off and stay off.
4. Investigate what happens if you have both switches pressed at once.